

Not The Typical Red & Blue

BAT is pleased to announce our own line of high quality, taper-swivel, -AN hose ends. Their distinctive titanium and black anodized finish offers a fresh new look over ordinary red and blue and look great on everything from vintage race cars, and hot rods, to modern hi-tech applications. Fittings are currently available in sizes -6 through -20AN in straight, 45, 90, 120, 150, 180 angles. Compare and save. We offer a full feature hose end, for similar (or less) than competitors basic non-swivel fittings, and in a unique color combination at no additional charge. Affordable and -AN in the same sentence...who would have thought.



Straight Hose End



-AN size	part #	price \$
-6AN	TS-6	\$4.75
-8AN	TS-8	\$6.20
-10AN	TS-10	\$8.40
-12AN	TS-12	\$11.25
-16AN	TS-16	\$18.90
-20AN	TS-20	\$28.05

120 Degree Hose End



-AN size	part #	price \$
-6AN	T120-6	\$17.90
-8AN	T120-8	\$19.50
-10AN	T120-10	\$24.50
-12AN	T120-12	\$27.90
-16AN	T120-16	\$39.45
-20AN	T120-20	\$58.50

45 Degree Hose End



-AN size	part #	price \$
-6AN	T45-6	\$12.45
-8AN	T45-8	\$16.45
-10AN	T45-10	\$18.75
-12AN	T45-12	\$20.50
-16AN	T45-16	\$25.50
-20AN	T45-20	\$48.00

150 Degree Hose End



-AN size	part #	price \$
-6AN	T150-6	\$17.90
-8AN	T150-8	\$19.50
-10AN	T150-10	\$24.50
-12AN	T150-12	\$27.90
-16AN	T150-16	\$39.45
-20AN	T150-20	\$58.50

90 Degree Hose End



-AN size	part #	price \$
-6AN	T90-6	\$12.45
-8AN	T90-8	\$16.45
-10AN	T90-10	\$18.75
-12AN	T90-12	\$20.50
-16AN	T90-16	\$25.50
-20AN	T90-20	\$48.00

180 Degree Hose End

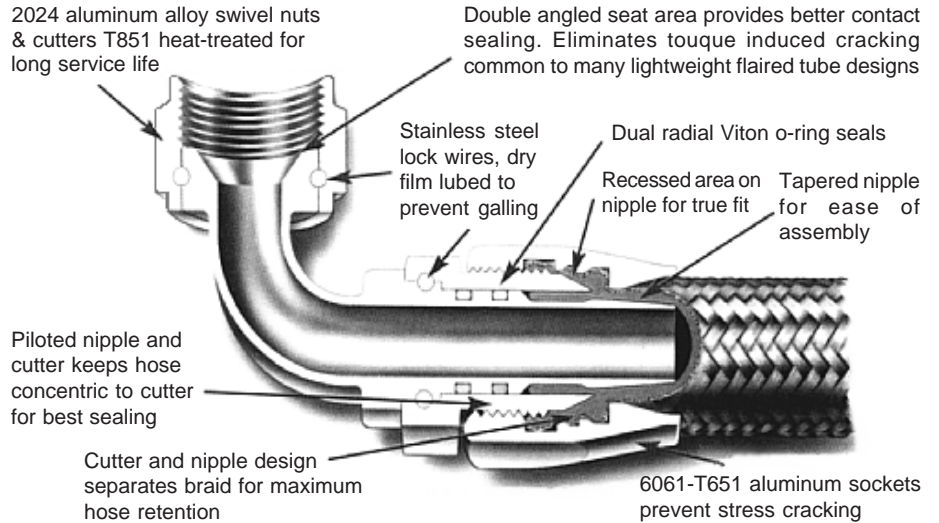


-AN size	part #	price \$
-6AN	T180-6	\$17.90
-8AN	T180-8	\$19.50
-10AN	T180-10	\$24.50
-12AN	T180-12	\$27.90
-16AN	T180-16	\$39.45
-20AN	T180-20	\$58.50

Quantity and Dealer pricing available



XRP high performance double swivel, triple seal hose ends represent the pinnacle of hose fitting technology. Patented aviation style nipple and cutter design greatly reduces the chance of blow-off or leakage. Triple seal design allows for 360 degree fitting alignment which makes installing hoses with angles on each end a snap. **XRP** fittings are finished in a high luster blue and red anodized show quality finish. When comparing quality, finish and price we think you will agree, **XRP** make the best hose fittings on the market.



Hose & Fitting Information

AN (Air Force/Navy) specification hose and fittings refer to "dash" sizes, arrived at by multiplying the nominal bore size of the hose by 16, hence 1/2" hose equals -8. The hose end fitting we list are designed to be used with Aeroquip FC333, or similar specification hose. Hose end fittings seal on a SAE 37 degree flair making them compatible with other components that share the industry standard AN / JIC 37 degree sealing surface.

Price & Service

When comparing prices on fittings be aware, not all "red and blue" fittings are created equally. Although -AN fittings are generally interchangeable, there can be vast differences in quality- especially with offshore brands creeping into the market. BAT strives to offer competitive pricing on all our plumbing products, as well we keep a large inventory so that we can offer simple one stop shopping. In the case of an item being out of stock, we can usually offer an alternative component, or brand, to keep you on schedule. Not sure what you need, or how to use it? Our technical department is always available to help. Ordering in bulk quantities, or for resale? Contact our wholesale department for additional trade discounts. If, for any reason, you feel we are not competitive with another supplier on similar components, please give us a call and we will see what we can do.



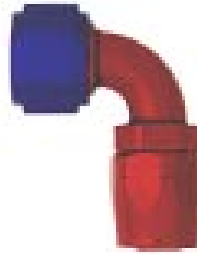
Straight Hose End



-AN size part # price \$

-6AN	FS-6	\$5.49
-8AN	FS-8	\$7.10
-10AN	FS-10	\$9.35
-12AN	FS-12	\$12.95
-16AN	FS-16	\$21.15
-20AN	FS-20	\$44.00

90 Degree Hose End



-AN size part # price \$

-6AN	F90-6	\$14.55
-8AN	F90-8	\$18.25
-10AN	F90-10	\$22.50
-12AN	F90-12	\$25.30
-16AN	F90-16	\$31.25
-20AN*	F90-20	\$65.00

*-20 hose end is non-swivel type

30 Degree Hose End



-AN size part # price \$

-6AN	F30-6	\$17.45
-8AN	F30-8	\$20.75
-10AN	F30-10	\$25.50
-12AN	F30-12	\$29.80
-16AN	F30-16	\$36.50
-20AN*	F30-20	\$70.00

*-20 hose end is non-swivel type

120 Degree Hose End



-AN size part # price \$

-6AN	F120-6	\$20.50
-8AN	F120-8	\$23.45
-10AN	F120-10	\$29.50
-12AN	F120-12	\$32.50
-16AN	F120-16	\$54.25
-20AN*	F120-20	\$75.00

*-20 hose end is non-swivel type

45 Degree Hose End



-AN size part # price \$

-6AN	F45-6	\$14.55
-8AN	F45-8	\$18.25
-10AN	F45-10	\$22.50
-12AN	F45-12	\$25.30
-16AN	F45-16	\$31.25
-20AN*	F45-20	\$65.00

*-20 hose end is non-swivel type

150 Degree Hose End



-AN size part # price \$

-6AN	F150-6	\$20.50
-8AN	F150-8	\$23.45
-10AN	F150-10	\$29.50
-12AN	F150-12	\$32.50
-16AN	F150-16	\$54.25
-20AN*	F150-20	\$75.00

*-20 hose end is non-swivel type

60 Degree Hose End



-AN size part # price \$

-6AN	F60-6	\$17.45
-8AN	F60-8	\$20.75
-10AN	F60-10	\$25.50
-12AN	F60-12	\$29.80
-16AN	F60-16	\$36.50
-20AN*	F60-20	\$70.00

*-20 hose end is non-swivel type

180 Degree Hose End



-AN size part # price \$

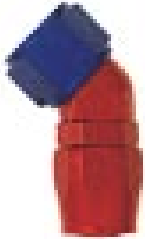
-6AN	F180-6	\$22.50
-8AN	F180-8	\$24.95
-10AN	F180-10	\$27.45
-12AN	F180-12	\$30.75
-16AN	F180-16	\$54.25
-20AN*	F180-20	\$75.00

*-20 hose end is non-swivel type

Forged Hose Ends

Forged hose ends are slightly more compact than a tube version of the same angle and are best used where space is limited. Forged hose ends do offer additional strength over tube type fittings, but their flow characteristics are not as good as a tube hose end of the same angle. Available as double swivel, triple seal in a limited selection of angles (45 & 90 degree).

45 Degree Hose End -FORGED



-AN size part # price \$

-6AN	F45-6F	\$18.80
-8AN	F45-8F	\$22.70
-10AN	F45-10F	\$27.70
-12AN	F45-12F	\$34.80
-16AN	F45-16F	\$51.60

90 Degree Hose End -FORGED



-AN size part # price \$

-6AN	F45-6F	\$18.80
-8AN	F45-8F	\$22.70
-10AN	F45-10F	\$27.70
-12AN	F45-12F	\$34.80
-16AN	F45-16F	\$51.60

Metric Hose Ends

With the "world market" it is becoming more common to encounter metric thread on various components throughout a vehicle. We offer this unique series of forged swivel hose ends that connect directly to FC333 type -AN braided hose and thread on metric male fittings with 1.5 pitch. Now it is possible to make replacement or custom fuel and oil hoses on site using durable braided type hose and the more versatile -AN plumbing system.

Straight Metric Female to AN Hose



Metric -AN Hose Part #

12mm	-6AN	FS-1206
14mm	-6AN	FS-1406
16mm	-6AN	FS-1606
18mm	-8AN	FS-1808
22mm	-10AN	FS-2210
26mm	-12AN	FS-2612
30mm	-12AN	FS-3012
30mm	-16AN	FS-3016

90 Degree Metric Female to AN Hose



Metric -AN Hose Part #

12mm	-6AN	F90-1206
14mm	-6AN	F90-1406
16mm	-6AN	F90-1606
18mm	-8AN	F90-1808
22mm	-10AN	F90-2210
26mm	-12AN	F90-2612
30mm	-12AN	F90-3012
30mm	-16AN	F90-3016

45 Degree Metric Female to AN Hose

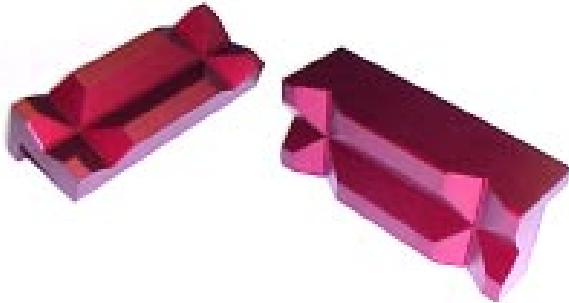


Metric -AN Hose Part #

12mm	-6AN	F45-1206
14mm	-6AN	F45-1406
16mm	-6AN	F45-1606
18mm	-8AN	F45-1808
22mm	-10AN	F45-2210
26mm	-12AN	F45-2612
30mm	-12AN	F45-3012
30mm	-16AN	F45-3016

Installation Accessories & Tools

The right accessory, or tool, will simplify the job and make for a clean install. To aid assembly, choose from hose end wrenches and vice inserts. Aluminum Cushion (Adel) Clamps keep hose or tubing in place throughout. Hose Finishing (Pro) Clamps add cosmetic appeal and keep braided hose from fraying when fitting to push-on connections.



Aluminum Vice Inserts (Vice Jaws)

Sizes	part #	price \$
Pair (2)	AVJ1R	\$15.75

Specially designed magnetic vice inserts (2), protect your expensive hose ends during assembly. Here is another case of "having the right tool makes all the difference". Usually supplied in RED.



Aluminum Cushion (Adel) Clamps

-AN size	I.D.	part #	price \$
-4AN	3/8"	AC375	\$0.85
-6AN	9/16"	AC625	\$0.70
-8AN	11/16"	AC687	\$0.70
-10AN	3/4"	AC750	\$0.85
-12AN	1"	AC1000	\$0.85
-16AN	1 1/4"	AC1250	\$1.25

Aviation quality aluminum cushion (Adel) clamps help keep everything tidy and in place. Perfect for mounting hose or tubing where you need it and not in harms way.



Aluminum Hose Wrench Set

Sizes	part #	price \$
Set of 6	HWSE	\$39.95

Here's a economical 6 piece (-3, -6, -8, -10, -12, -16AN) hose wrench set made from 6061 aluminum alloy. Wrenches are designed to tighten the female swivel nut connection without damaging the finish. Usually supplied in RED.



Aluminum Hose Finishing (Pro) Clamps

-AN size	I.D.	part #	price \$
-6AN	5/8"	PRO6	\$3.95
-8AN	11/16"	PRO8	\$4.25
-10AN	7/8"	PRO10	\$4.50
-12AN	1"	PRO12	\$5.00

Hose end finishing clamps (Pro Clamps) add cosmetic appeal and keep braided hose from fraying when used with push-on hose connections. Aluminum housing retains a stainless worm-drive clamp. Supplied in BLACK or RED.